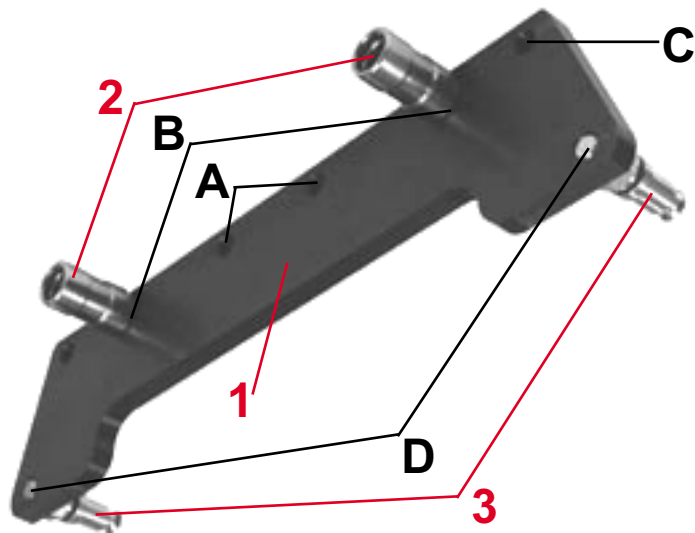




Wheel Clamp Extender Directions

Wheel Clamp Extender Parts

- 1.** Adaptor Plate, with holes to accommodate:
 - A.** Hunter Red Mounting Head
 - B.** Tru-Line Mounting Head
 - C.** Older Style Hunter Mounting Head
- 2.** Female Adaptor
- 3.** Male Adaptor
- D.** Holes for male adaptor



1. Thoroughly clean your existing feet. Make sure they are free of dirt and debris.
2. Fasten the appropriate feet to the adaptor plate. See layout.
3. Put a small amount of lubricant into the female adaptors.
4. Snap the female adaptor on the Extender onto the male adaptor of your wheel clamp.

You are now ready to mount the wheel clamp and begin servicing the vehicle.